

## Features and Benefits

### Virgin Polypropylene, Accepts Single Open End 222 O-rings Filter Cartridge

- Pure Virgin Polypropylene. No Talc, Fillers, Colorants, Plasticizers or Lubricants
- Accepts 222 O-rings Filter Cartridge, Flat Closed End, Excellent for Submicronic Applications
- Materials Meet FDA Requirement for Filtration of Food, Beverages, Ultra Pure DI Water, High Purity Chemical
- More Economical than Fluoropolymer

## Housing Specifications

### Maximum Operating Pressure

125 psig (8.6 bar) @ 77°F (25°C)

### Construction

Head	Polypropylene
Shell	Polypropylene

### Connection

Inlet/Outlet	3/4" NPT (DJ10P) 1" NPT (DJ20P)
Vent/Drain/Gauge	1/4" NPT

### Shell O-rings

EPDM (Standard), Viton

### Mounting Bracket

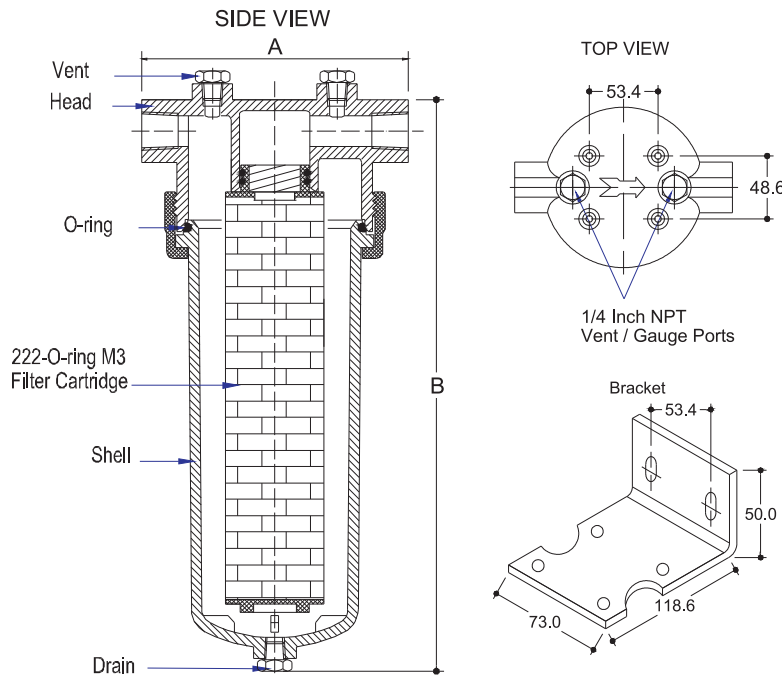
Material	Stainless Steel
----------	-----------------



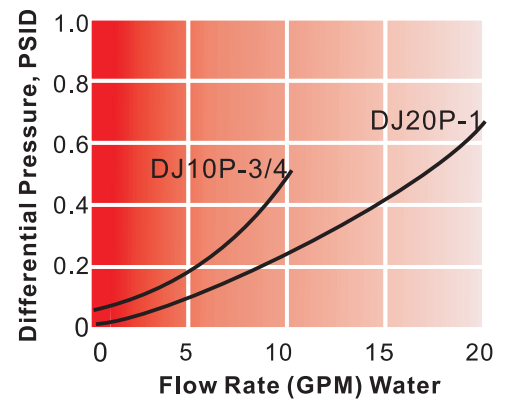


## Dimension Data

Model	Liquid Flowrate (lpm)	Dimension		Dry Weight
		A	B	
DJ10P- <sup>3</sup> / <sub>4</sub>	to 37.9 (10 gpm)	16.5 cm	35.4 cm	0.97 kg
DJ20P-1	to 75.7 (20 gpm)	16.5 cm	60.3 cm	1.47 kg



### Housing Pressure Drop vs. Liquid Flow Rate



## Ordering Information

DJ Model	10 Cartridge Length	P- Material of Construction	3/4- Inlet/Outlet Connection Size	3 CartridgeType
DJ	10 = 10" 20 = 20"	P = Polypropylene	3/4 = 3/4" 1 = 1"	3 = Single Open End with 222 O-rings, Flat Closed End

All Rights Reserved  
BSI has the rights to change subject without any notice