

C-3004

Fulflo® TC Single Cartridge Stainless Steel Filter Vessel

Fulflo® Single Cartridge Stainless Steel Vessels Are for use With SOE-222 Style Filter Cartridges

The SSTC models have a 316 stainless steel shell and a four-boss 316 stainless steel head for applications where an all-stainless steel construction is required. The vessels feature a head which accepts SOE TC style filter cartridges which eliminates the possibility of fluid bypass.



Benefits

- The vessels are sealed using a ring type threaded closure which requires no special tools to change the cartridges
- Threaded ring closure for quick cartridge change
- 222 seal cup for TC and competitive cartridge sealing (M3, Code 3, Code 0)
- Integrally cast brackets for easy mounting

- Standard Buna-N closure o-ring material with optional Viton, EPR and Silicone available
- Available for use with 10", 20" and 30" cartridge lengths
- Vessel has no internal parts
- Cartridge seating is positive and can be checked prior to closing
- All components have electropolished finish

Applications

- Solvents
- Chemicals
- Potable Water
- Parts Washer



ENGINEERING **YOUR** SUCCESS.

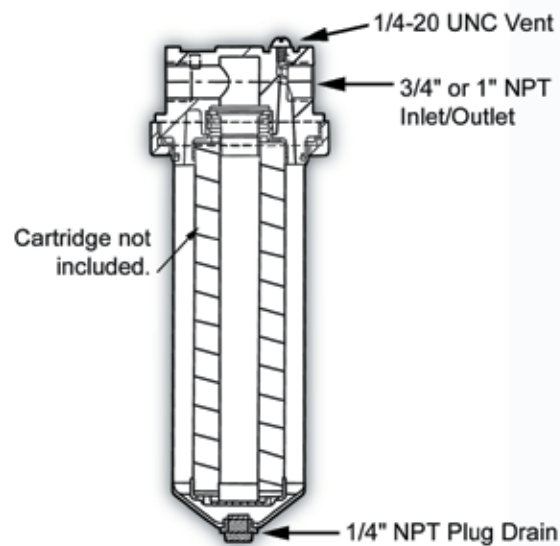
Fulflo® Single Cartridge Stainless Steel Filter Vessel

Design Specifications

Model	Typical Aqueous Flow* (gpm)	Length of Cartridges (in)	Operating Pressure (psi @ 250°F)	Overall Height (in)	Outside Diameter Face-to-Face (in)	Pipe Size (NPT) (in)	Shipping Weight (lbs)
SSTC10-075	5	10	200 psi (13.8 bar)	12.25	3.50	.75	7.80
SSTC20-075	10	20	200 psi (13.8 bar)	22.38	3.50	.75	9.00
SSTC30-075	15	30	200 psi (13.8 bar)	32.50	3.50	.75	10.20
SSTC10-100	5	10	200 psi (13.8 bar)	12.25	3.50	1.00	7.80
SSTC20-100	10	20	200 psi (13.8 bar)	22.38	3.50	1.00	9.00
SSTC30-100	15	30	200 psi (13.8 bar)	32.50	3.50	1.00	10.20

Optional Seals Provided

Viton	P/N 4152-8236
EPR	P/N 4154-5236
Silicone	P/N 4151-4236
FEP/Viton	P/N 4154-4236
FEB/Silicon	P/N 4150-5617



Ordering Information

SS	TC	□	□
Design Series	Cartridge Seal	Cartridge Length	Connection Size
SS = 316SS Shell and Head	222 O-ring	10 = 10 20 = 20 30 = 30	075 = 3/4 in FNPT 100 = 1 in FNPT

Note: Buna-N is standard seal.

Specifications are subject to change without notification.
*Viton is a registered trademark of E.I. DuPont de Nemours & Co., Inc.

© 2007 Parker Hannafin
Process Advanced Filtration Inc.
All Rights Reserved
SPEC-C3004-Rev. A 01/08



ENGINEERING **YOUR** SUCCESS.