

# DJ-P Series Filter Housings



## Product Introduction

Filtrafine DJ-P series single filter housing is made of pure virgin polypropylene which has wide chemical compatibility to meet various application requirements, especially the FDA listed material is suitable for food and beverage contact. The length is offered in standard 10" and 20" for single open end, 222 o-ring, flat closed end filter cartridge without any internal part requirements in this housing. Optional mounting bracket kit provides easy installation and all materials are in stainless steel for durability.

- Manufactured under a certified ISO 9001 quality system

## Product Specifications

### Materials of Construction

- Head/Bowl: Pure Virgin Polypropylene – No Talc, Fillers, Plasticizers, Lubricants
- Mounting Bracket: Stainless Steel
- O-rings: Viton (standard)  
EPDM, Buna-N (optional)

### Dimensions

- Inlet/Outlet: DJ10P: 3/4" FNPT  
DJ20P: 3/4", 1" FNPT
- Vent/Gauge: 1/4" NPT
- Drain: 1/4" NPT

## Performance Specifications

### Maximum Operating Pressure

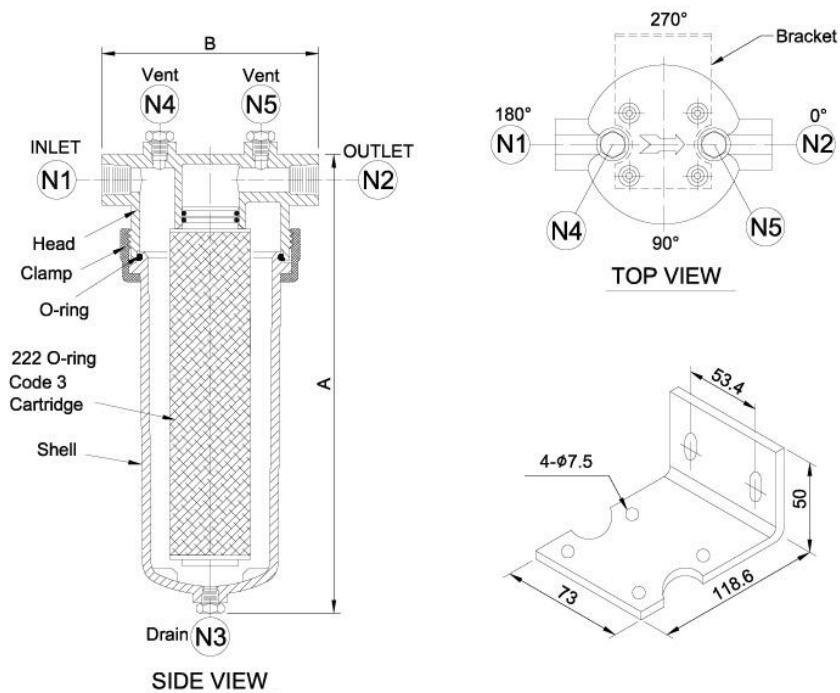
125 psig (8.6 bar) @ 77°F (25°C) in liquid service

### FDA Listed Materials

Manufactured from materials which are FDA listed for food contact applications in Title 21 of the U.S. Code of Federal Regulations.



Model	Max. Liquid Flow Rate gpm (lpm)	Dimension Inch (mm)							Weight lbs (kg)
		A	B	N1	N2	N3	N4	N5	
DJ10P	10 (37.9lpm)	13.9"(355)	6.6"(168)	3/4"	3/4"	1/4"	1/4"	1/4"	2.1lbs (0.97kg)
DJ10P	10 (37.9lpm)	13.9"(355)	6.6"(168)	1"	1"	1/4"	1/4"	1/4"	2.1lbs (0.97kg)
DJ20P	20 (75.7lpm)	23.7"(604)	6.6"(168)	3/4"	3/4"	1/4"	1/4"	1/4"	3.2lbs (1.47kg)
DJ20P	20 (75.7lpm)	23.7"(604)	6.6"(168)	1"	1"	1/4"	1/4"	1/4"	3.2lbs (1.47kg)



## Ordering Information

Product Name	Cartridge Length	Material of Construction	Inlet/Outlet Connection Size	Connection Type	Cartridge Type
DJ	10 20	P=Polypropylene	3/4", 1"	TN=NPT Thread TP=PT Thread	Code 3=222 / Flat