

TKV Series Filter Housings



Product Introduction

Filtrafine TKV series stainless steel multi-cartridge filter housing provides high level performance for many industrial applications, such as pre-filtration for RO system, food and beverage system, post treatments and so on. TKV series filter housing is constructed of 304, 316 or 316L stainless steel material, it gives excellent resistance to corrosive for product purity. The innovative sealing system offers quick and easy cartridge replacement. TKV series housing is compatible with 3, 5, 7, 9, 12 rounds and 10" to 40" length filter cartridges.

- Extra electro-polish finish for special requirement (optional)
- Manufactured under a certified ISO 9001 quality system

Product Specifications

Materials of Construction

- Head: 304 or 316 Stainless Steel
- Shell: 304 or 316 Stainless Steel
- Vent Cap: 304 or 316 Stainless Steel
- Drain Plug: 304 or 316 Stainless Steel
- Bottom Seat Cup Plate: 304 or 316 Stainless Steel
- Internal Components: 304 or 316 Stainless Steel
- O-rings: EPDM (standard)
Silicone, Teflon Encapsulated Viton, Viton (optional)

Dimensions

- Inlet/Outlet: 1.5", 2", 2.5", 3"
- Vent : 1/4" NPT
- Drain: 3/4" NPT
- Connection Types: ANSI, JIS, and DIN Flange
NPT, BSP, and PT Thread

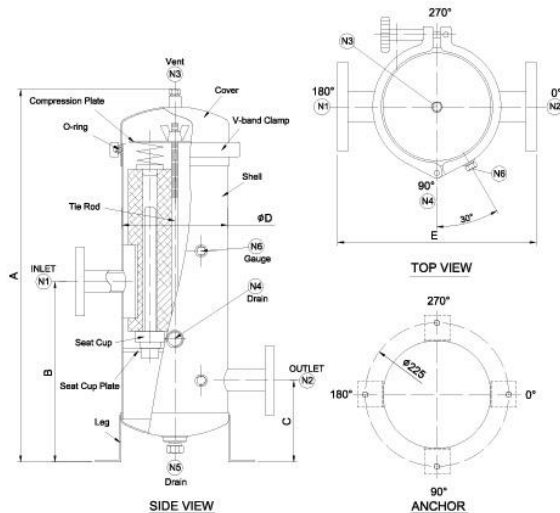
Performance Specifications

Maximum Operating Pressure

150 psig (10.3 bar) @ 77°F (25°C) in liquid service
(TKV Series housings are not recommend for gas service)



Model	No. of Element	Max. Liquid Flow Rate gpm (lpm)	Dimension Inch (mm)					Maximun Cartridge Diameter Inch (mm)	Weight lbs (kg)
			A	B	ØC	D	E		
3TKV1-1.5	3	15(57)	23.0"(584)	11.1"(283)	5.0"(128)	6"(165)	12.2"(312)	2.67"(68)	21.8"(9.9)
6TKV2-1.5	3	30(114)	33.0"(838)	11.1"(283)	5.0"(128)	6"(165)	12.2"(312)	2.67"(68)	27.3"(12.4)
9TKV3-1.5	3	60(171)	43.0"(1092)	11.1"(283)	5.0"(128)	6"(165)	12.2"(312)	2.67"(68)	33.1"(15)
12TKV4-1.5	3	120(228)	52.9"(1346)	11.1"(283)	5.0"(128)	6"(165)	12.2"(312)	2.67"(68)	38.7"(17.5)
5TKV1-2	5	25(95)	23.5"(598)	11.1"(283)	5.0"(128)	8"(210)	14.0"(356)	2.67"(68)	33.1"(15)
10TKV2-2	5	50(190)	33.5"(852)	11.1"(283)	5.0"(128)	8"(210)	14.0"(356)	2.67"(68)	39.2"(17.8)
15TKV3-2	5	75(285)	43.5"(1106)	11.1"(283)	5.0"(128)	8"(210)	14.0"(356)	2.67"(68)	45.4"(20.6)
20TKV4-2	5	100(380)	53.9"(1370)	11.1"(283)	5.0"(128)	8"(210)	14.0"(356)	2.67"(68)	53.1"(24.1)
7TKV1-2	7	35(133)	23.9"(607)	11.1"(283)	5.0"(128)	9"(232)	14.8"(378)	2.67"(68)	34.2"(15.5)
14TKV2-2	7	70(266)	33.9"(861)	11.1"(283)	5.0"(128)	9"(232)	14.8"(378)	2.67"(68)	39.9"(18.1)
21TKV3-2	7	100(375)	43.9"(1115)	11.1"(283)	5.0"(128)	9"(232)	14.8"(378)	2.67"(68)	46.1"(20.9)
28TKV4-2	7	125(470)	54.3"(1379)	11.1"(283)	5.0"(128)	9"(232)	14.8"(378)	2.67"(68)	53.8"(24.4)
9TKV1-2.5	9	70(266)	27.8"(708)	14.6"(370)	7.9"(200)	10"(268)	16.3"(416)	2.67"(68)	33.3"(15.1)
18TKV2-2.5	9	100(375)	37.8"(962)	14.6"(370)	7.9"(200)	10"(268)	16.3"(416)	2.67"(68)	41.0"(18.6)
27TKV3-2.5	9	135(513)	47.8"(1216)	14.6"(370)	7.9"(200)	10"(268)	16.3"(416)	2.67"(68)	48.7"(22.1)
36TKV4-2.5	9	180(684)	58.2"(1480)	14.6"(370)	7.9"(200)	10"(268)	16.3"(416)	2.67"(68)	56.4"(25.6)
12TKV1-3	12	135(580)	27.6"(702)	14.6"(370)	7.9"(200)	12"(312)	18.1"(460)	2.67"(68)	43.0"(19.5)
24TKV2-3	12	165(625)	37.6"(956)	14.6"(370)	7.9"(200)	12"(312)	18.1"(460)	2.67"(68)	48.5"(22)
36TKV3-3	12	210(794)	47.6"(1210)	14.6"(370)	7.9"(200)	12"(312)	18.1"(460)	2.67"(68)	54.0"(24.5)
48TKV4-3	12	240(912)	58.0"(1474)	14.6"(370)	7.9"(200)	12"(312)	18.1"(460)	2.67"(68)	59.5"(27)



Ordering Information

14	TKV	2	A-	2	FA-	3	-EP
No. of 10" Equiv.	Product Name	Cartridge Length	Material of Construction	Inlet/Outlet Connection Size	Connection Type	Cartridge Type	Option
3-48	TKV	1=10" 2=20" 3=30" 4=40"	A=304SS S=316SS SL=316LSS	1.5", 2", 2.5", 3"	FA=ANSI Flange FJ=JIS Flange FD=DIN Flange TN=NPT Thread TP=PT Thread TB=BSP Thread	DOE=Double Open End Code 3=222 / Flat Code 8=222 / Fin Code 7=226 / Fin, Bayonet	Blank=None EP=Electro-polished P=Mechanical polished